

### RISCALDATORE PER AREE CRITICHE SERIE CREX 020

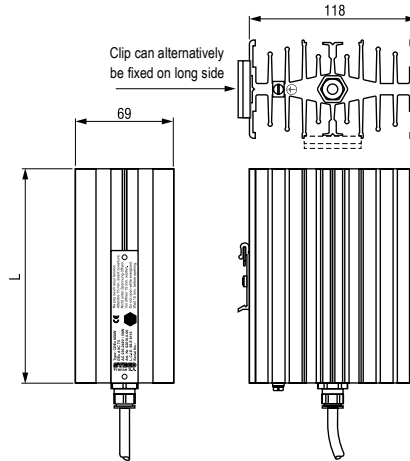
I riscaldatori sono progettati per impedire la condensa e garantiscono una minima temperatura di funzionamento per operare in spazi di piccole dimensioni. I termostati controllano e regolano apparecchi di riscaldamento, ventilatori con filtro, scambiatori di calore e climatizzatori in caso di superamento per eccesso o per difetto di determinati valori di temperatura e di umidità.

#### Hazardous area Heater CREx 020 Series

Heaters designed to prevent condensation and to ensure a minimum operating temperature in small enclosures. Prerequisite for a clean operation of your components is the right climate in your enclosure. Thermostats are used for the control of heaters, filter fans, heat exchangers and air conditioning equipment. They activate when set temperature or humidity values are exceeded or have fallen below.



Hazardous area Thermostat REx 011  
see page 39



Riscaldatore per aree critiche serie crex 020

TECHNICAL DATA	
EXPLOSION PROTECTION ACCORDING TO EN	LCIE (Laboratoire Central des Industries Electriques)
CONFORMITY CERTIFICATE	01 ATEX 6073/03, LCIE N° 06 ATEX Q8011, IECEx LCI 07. 0020
HEATING ELEMENT	high performance cartridge
HEATER BODY	aluminium profile, black anodised
CONNECTION	Si HF-JZ 3 x 0.75mm <sup>2</sup> cable, length 1m
CONNECTION PE	4mm <sup>2</sup>
MOUNTING	clip for 35mm DIN rail, EN 50022
FITTING POSITION	vertical
OPERATING / STORAGE TEMPERATURE	-20 to +40°C (-4 to +104°F) / -45 to +70°C (-49 to +158°F)
PROTECTION TYPE / PROTECTION CLASS	IP65 / I (earthed)

\*Operating with voltages below 140V AC/DC reduces heating performance by approx. 10%.

Art. No	Operating voltage	Heating (capacity1)	Ex protection type	Surface temperature	Length (L)	Weight (approx.)
02010.0-00	230-240VAC	50W	d IIC T5 - Ex tD A21 IP6X T100°C	100°C	150mm	1.30kg
02011.0-00	230-240VAC	100W	d IIC T4 - Ex tD A21 IP6X T135°C	135°C	180mm	1.50kg
02010.0-01	110-120VAC	50W	d IIC T5 - Ex tD A21 IP6X T100°C	100°C	150mm	1.30kg
02011.0-01	110-120VAC	100W	d IIC T4 - Ex tD A21 IP6X T135°C	135°C	180mm	1.50kg

\*at 20°C (68°F) ambient temperature