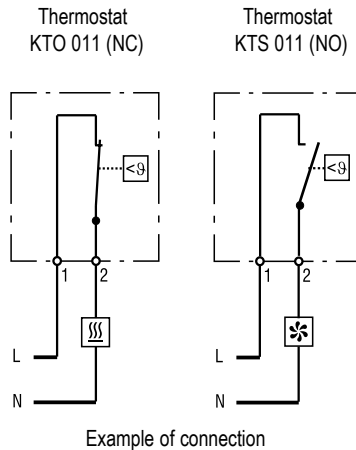
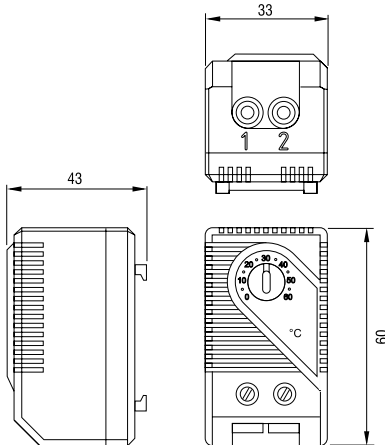


### PICCOLO TERMOSTATO SERIE KTO 011 / KTS 011

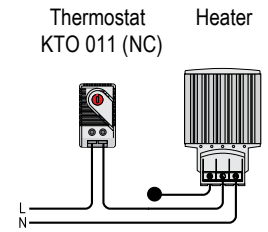
I riscaldatori sono progettati per impedire la condensa e garantiscono una minima temperatura di funzionamento per operare in spazi di piccole dimensioni. I termostati controllano e regolano apparecchi di riscaldamento, ventilatori con filtro, scambiatori di calore e climatizzatori in caso di superamento per eccesso o per difetto di determinati valori di temperatura e di umidità.

#### Small, compact Thermostat KTO 011 / KTS 011

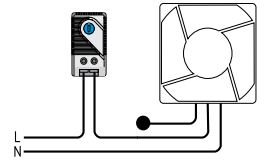
Heaters designed to prevent condensation and to ensure a minimum operating temperature in small enclosures. Prerequisite for a clean operation of your components is the right climate in your enclosure. Thermostats are used for the control of heaters, filter fans, heat exchangers and air conditioning equipment. They activate when set temperature or humidity values are exceeded or have fallen below.



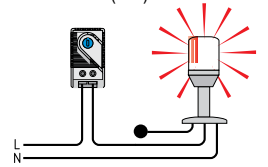
- Heater
- Filter fan, Cooling equipment, Signal device



Thermostat e.g. Fan  
KTS 011 (NO)



Thermostat  
KTS 011 (NO) e.g. Signal device



Piccolo termostato serie KTO 011 / KTS 011

TECHNICAL DATA	
SWITCH TEMPERATURE DIFFERENCE	7K (± 4K tolerance)
SENSOR ELEMENT	thermostatic bimetal
CONTACT TYPE	snap-action contact
CONTACT RESISTANCE	< 10m
SERVICE LIFE	> 100,000 cycles
MAX. SWITCHING CAPACITY	250VAC, 10 (2) A, 120VAC, 15 (2) A, DC 30W
EMC	acc. to EN 55014-1-2, EN 61000-3-2, EN 61000-3-3
CONNECTION	2-pole terminal, clamping torque 0.5Nm max.: rigid wire 2.5mm <sup>2</sup> , stranded wire (with wire end ferrule) 1.5mm <sup>2</sup>
MOUNTING	clip for 35mm DIN rail, EN50022, (or for exit filter EF 118 Series)
CASING	plastic according to UL94 V-0, light grey
DIMENSIONS	60 x 33 x 43mm
WEIGHT	approx. 40g
FITTING POSITION	variable
OPERATING / STORAGE TEMPERATURE	-45 to +80°C (-49 to +176°F)
PROTECTION TYPE	IP20

\*Operating with voltages below 140V AC/DC reduces heating performance by approx. 10%.

Setting range	Art. No. Contact Breaker (NC)	Art. No. Contact Maker (NO)	Approvals
0 to +60°C	01140.0-00	01141.0-00	VDE
-10 to +50°C	01142.0-00	01143.0-00	VDE
+20 to +80°C	01159.0-00	01158.0-00	VDE
+32 to +140°F	01140.9-00	01141.9-00	UL File No. E164102
+14 to +122°F	01142.9-00	01143.9-00	UL File No. E164102
0 to +60°C	01146.9-00	01147.9-00	UL File No. E164102

\*at 20°C (68°F) ambient temperature